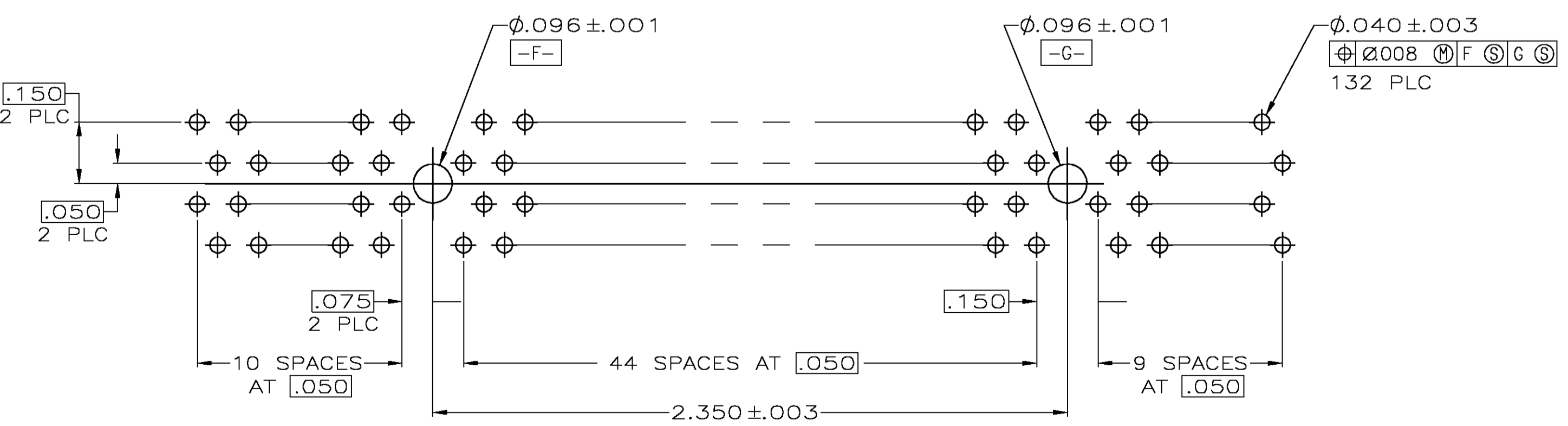
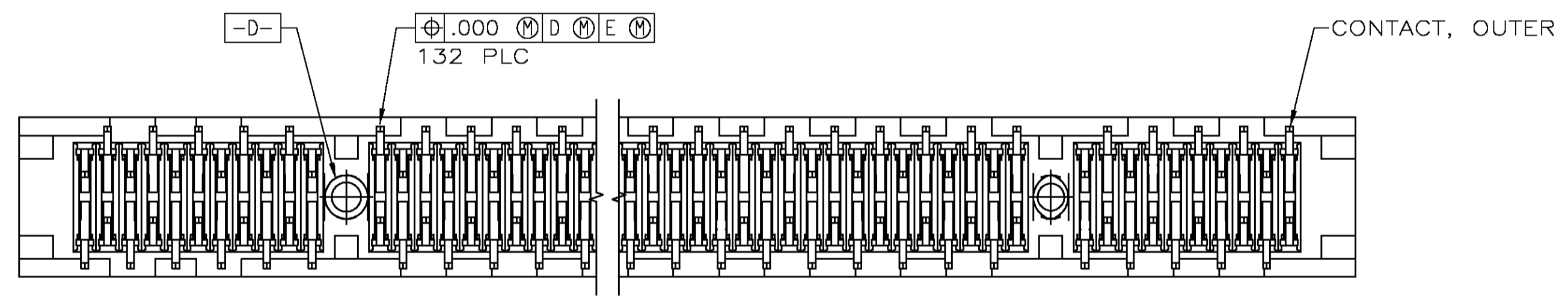
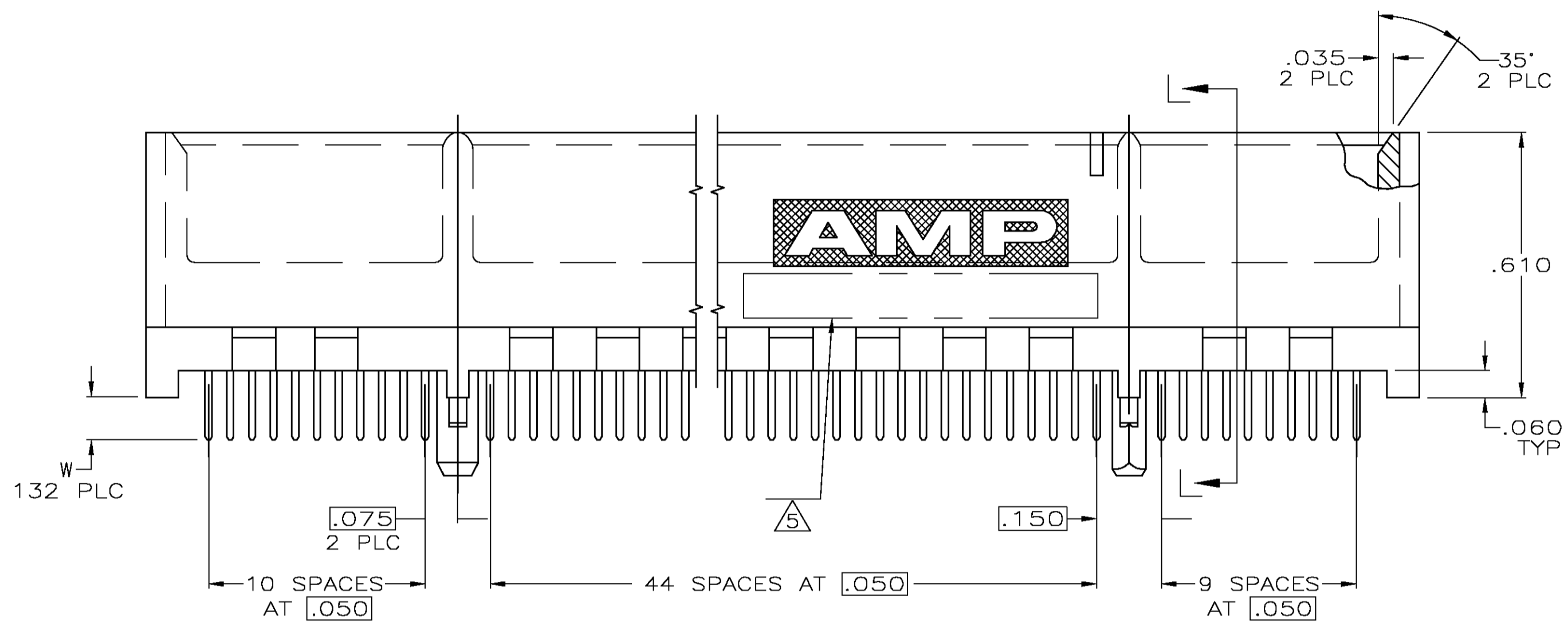
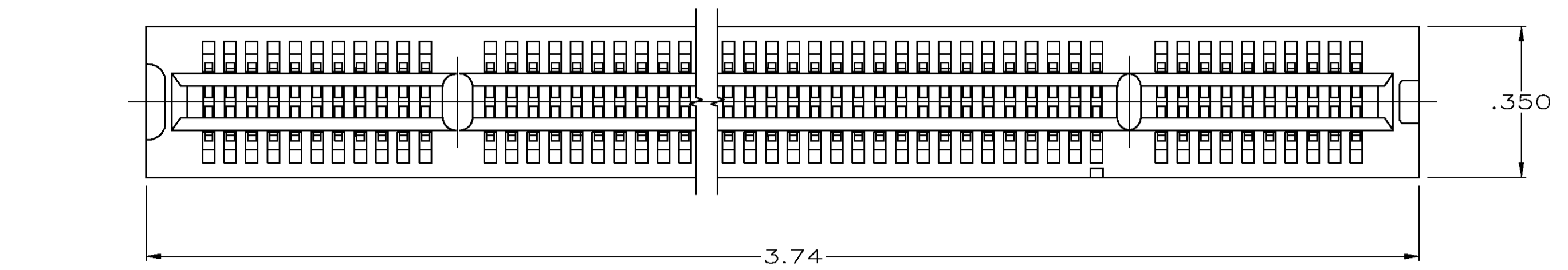
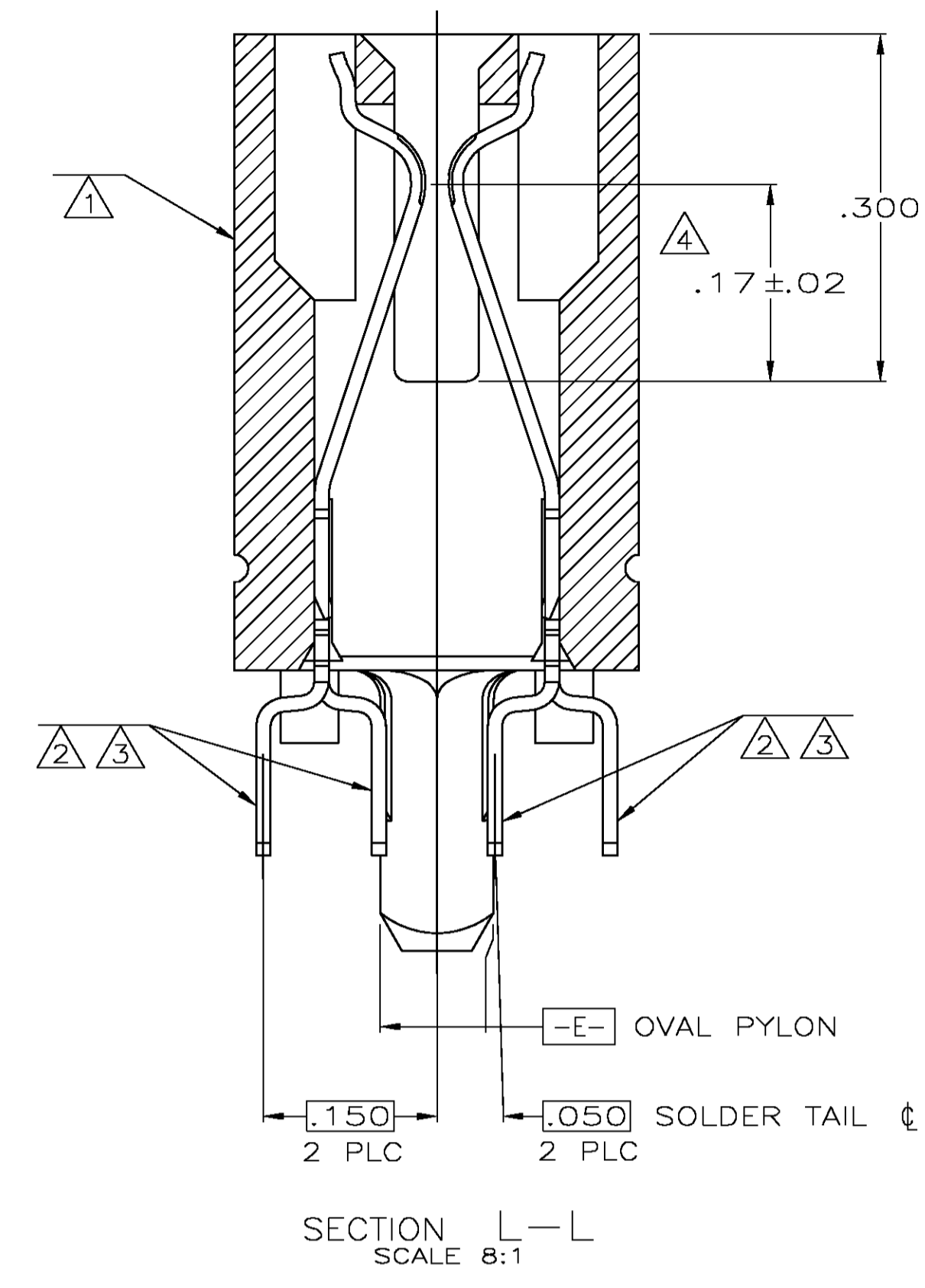


LOC		DIST		REVISONS			
GP	00	F	LTR	DESCRIPTION	DATE	BY	APVD
A				REVISED PER EC OS15-0060-05	10 MAY 05	AWF	AWF

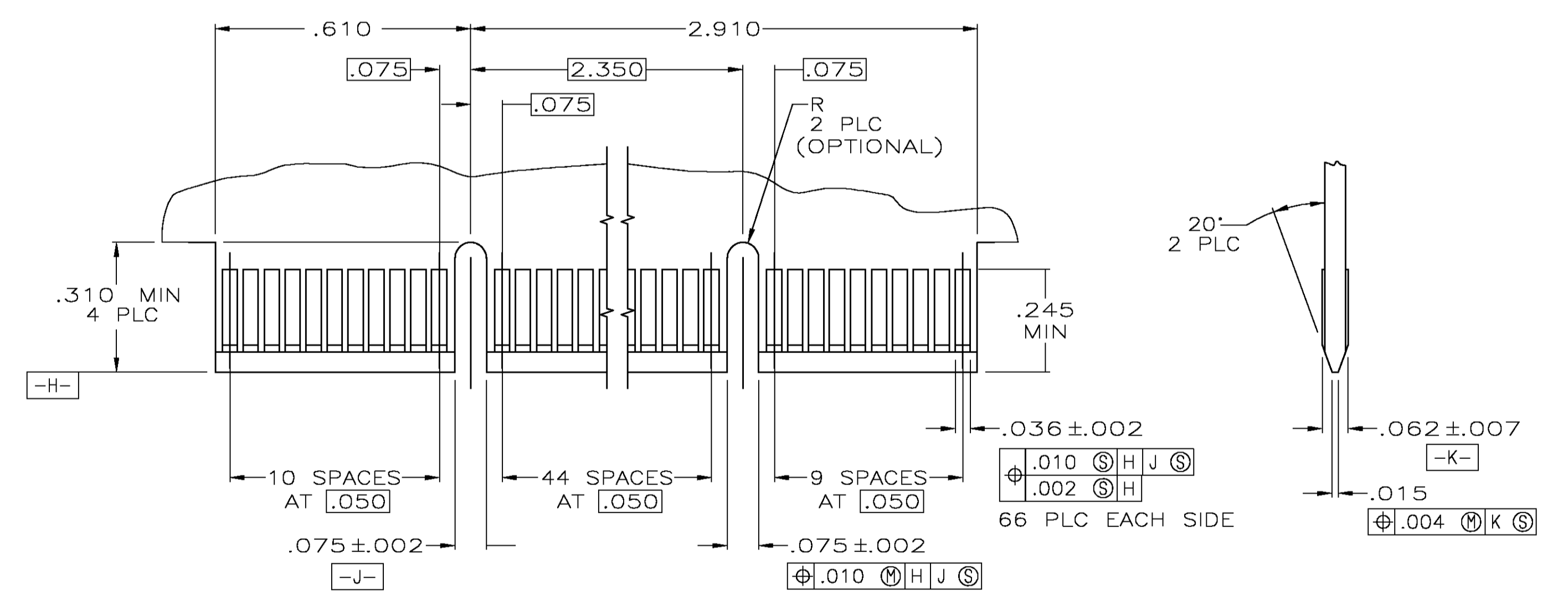


RECOMMENDED CONNECTOR MOUNTING HOLE PATTERN  
(CONNECTOR SIDE SHOWN)



SECTION L-L  
SCALE 8:1

- ① HOUSING: HIGH TEMPERATURE THERMOPLASTIC. COLOR: BROWN.
- ② CONTACT: PHOSPHOR BRONZE.
- ③ CONTACT FINISH: .000100 MIN NICKEL ALL OVER. .000030 MIN GOLD OVER NICKEL IN CONTACT AREA. .000100 MIN MATTE TIN OVER NICKEL ON SOLDER TAILS.
- ④ DISTANCE FROM CONTACT POINT TO BOTTOM OF CARD SLOT.
- ⑤ AMP PART NUMBER, DATE CODE AND CSA LOGO MARKED IN APPROXIMATE AREA SHOWN.



RECOMMENDED MATING BOARD EDGE CONFIGURATION

.14	5650091-2
.10	5650091-1
W	PART NUMBER

OBSOLETE

THIS DRAWING IS A CONTROLLED DOCUMENT.		DIN AL FRANTUM 14 MAR 05		Tyco Electronics Corporation	
DIMENSIONS: mm		DIN AL FRANTUM 14 MAR 05		Harrisburg, Pa 17105-3608	
TOLERANCES UNLESS OTHERWISE SPECIFIED:		APVD		NAME	
0 PLC ± -		PRODUCT SPEC		CONNECTOR ASSEMBLY	
1 PLC ± -		108-14034		66 DUAL POSITION,	
2 PLC ± 0.25(.01)		APPLICATION SPEC		.050 SERIES STANDARD EDGE	
3 PLC ± 0.13(.005)		114-26012		SIZE	
4 PLC ± -		WEIGHT		A1 00779 C=5650091	
ANGLES ± -		CUSTOMER DRAWING		SCALE 4:1 SHEET 1 OF 1 REV A	
FINISH					